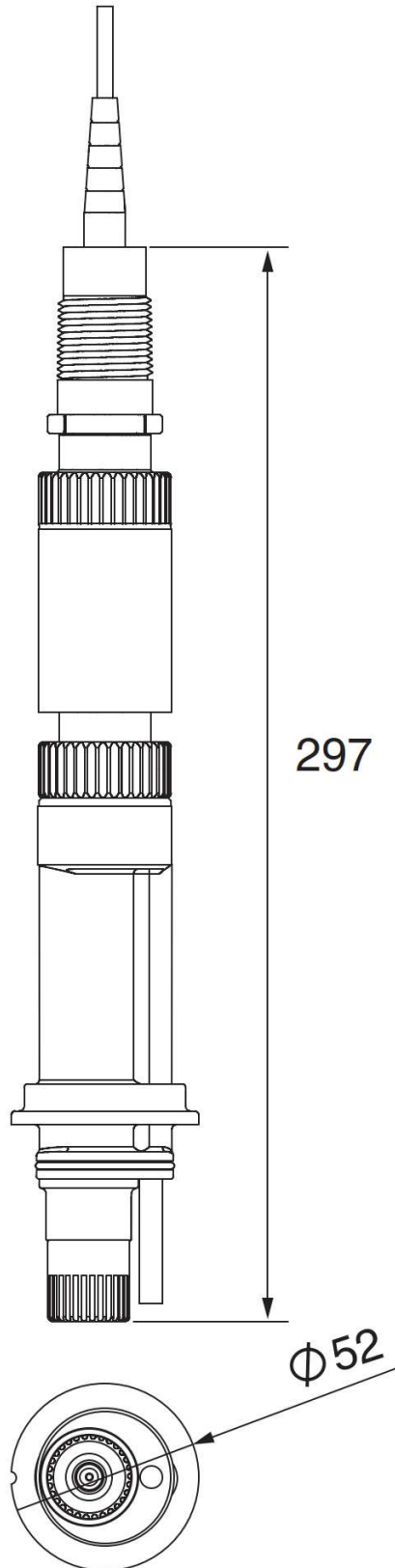


DIMENSIONS

SE-pH-D



mm