

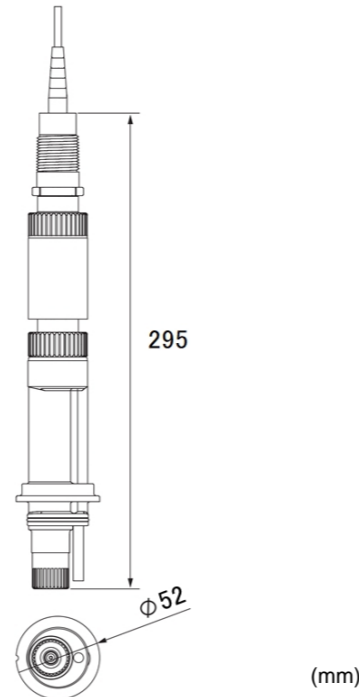
pH Sensor ORP Sensor
SE-pH-D/SE-ORP-D



Specifications

Description	pH Sensor		ORP Sensor
Model	SE-pH-D		SE-ORP-D
Measurement item	pH/temperature		ORP
Measurement range	pH	0.00 to 14.00 pH	-1500 to 1500 mV
	Temperature	0.0 to 60°C	
	Electromotive force	-500.00 to 500.00 mV	
Display resolution	pH	0.01 pH	1 mV
	Temperature	0.1°C	
	Electromotive force	0.01 mV	
Power supply	6 to 40 VDC		
Current consumption	5 mA		
Communications	MODBUS		
Operating temp.	0 to 60°C		
Dimensions	Φ52 x 295 mm		
Weight	0.57 kg		
Cable length	6 m		
Main material	PPS		

Dimensions



Assembled sensor with Digital output for pH and ORP



pH Sensor
SE-pH-D
 ORP Sensor
SE-ORP-D

Optional items

Universal transmitter : SC-U1(E)

- 2 sensors can be installed.
(max. 4 sensors can be installed when using expansion board)
- 4-20 mA output
- Relay output



**Replacement electrode:
 SE-pH-EL (for SE-pH-D)
 SE-ORP-EL (for SE-ORP-D)**



■ **Easy to replace the electrode**
 No need of any tool when replacing.



OPTeX sensors line-up

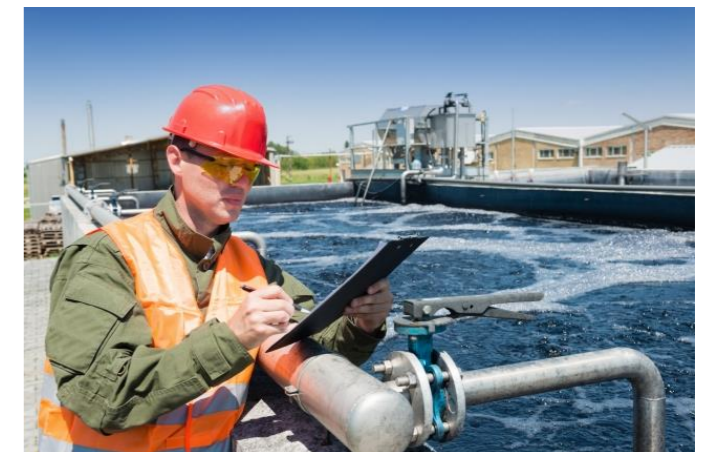


●The appearance and specifications are subject to change for improvement without prior notice. ●The colors might be slightly different from the actual products. ●Safety Precautions: Read the instruction manual carefully and thoroughly before using the appliance, and then use it correctly. ●The products have a limited life. Maintenance and replace it regularly.

Applications



Wastewater treatment



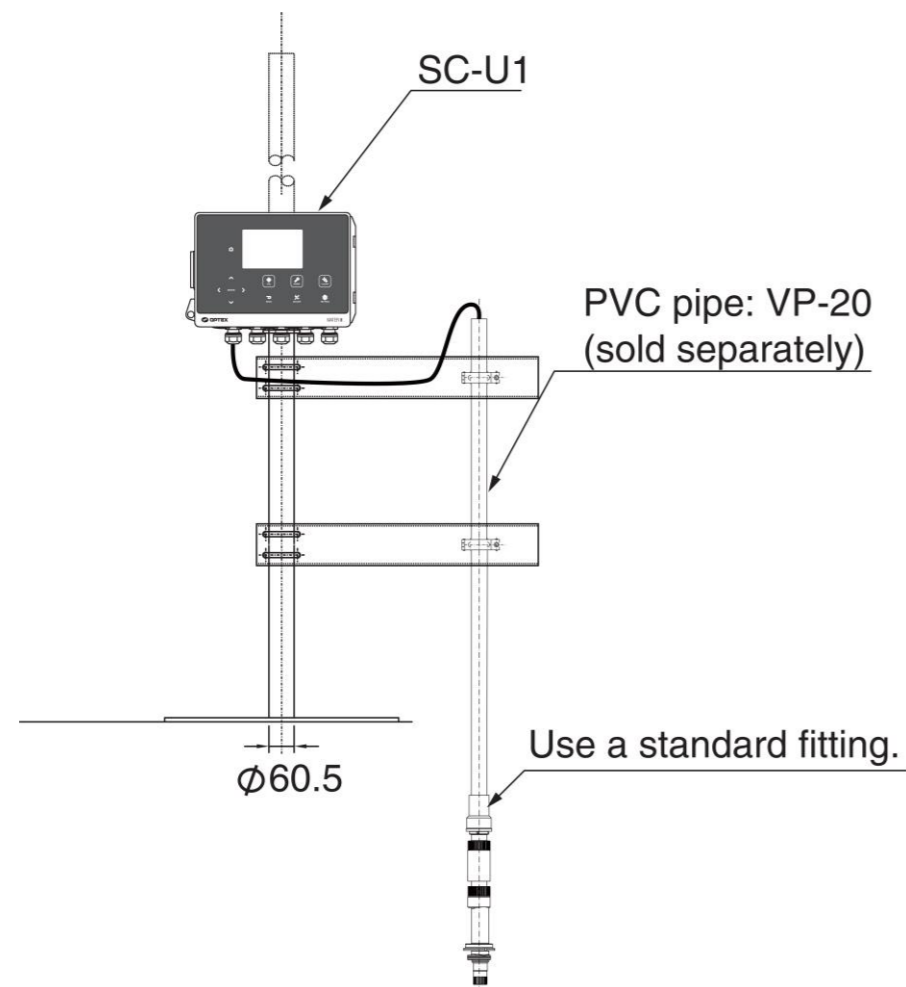
Water purification plant

OPTeX CO., LTD.
 5-8-12, Ogoto, Otsu, Shiga, 520-0101 Japan
 Tel.+81-77-579-8680 Fax.+81-77-579-8199
www.optex.co.jp/e/

Recommended installation example

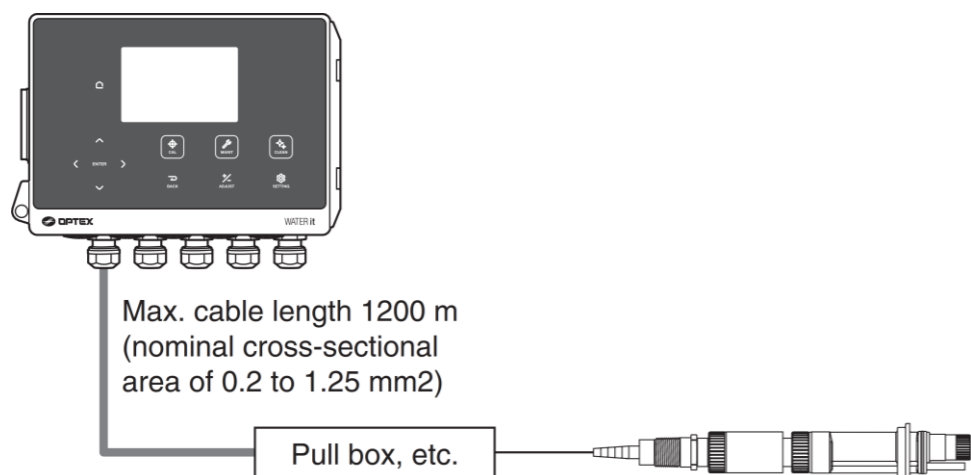
When installing the sensor in locations with high flow rates, make sure that the mounting brackets are sufficiently strong.

* The PVC pipe VP-20 and a standard fitting to be prepared by the user.



Extension of sensor cable

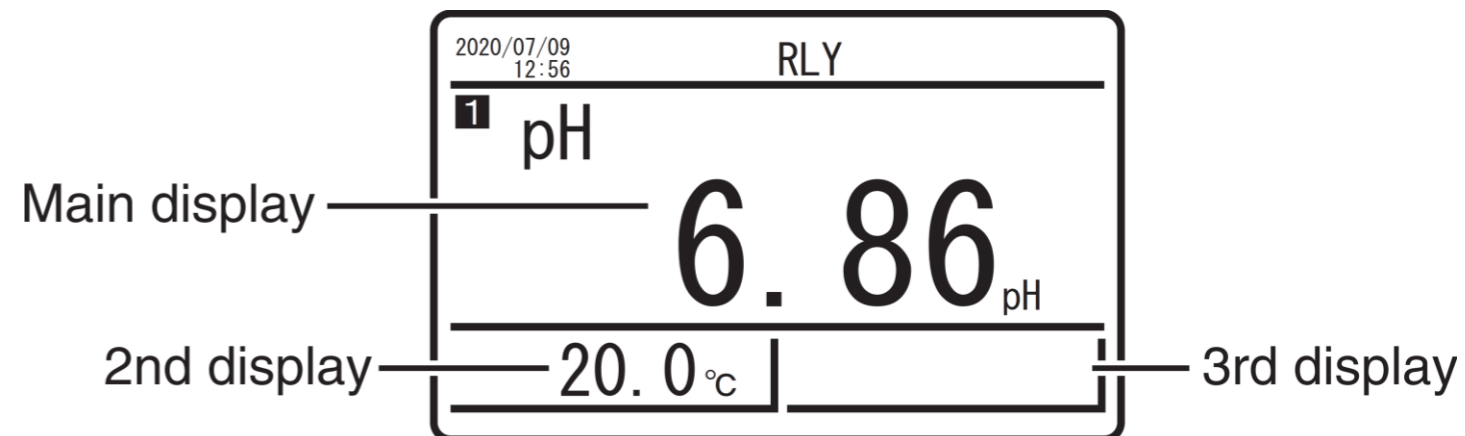
The standard length of the sensor cable is 6 m. To extend the cable, refer to the following. To extend the cable, connection using pull box is recommended.



For the sensor cable, use a shielded cable with a nominal cross-sectional area of 0.2 to 1.25 mm².

Display item

Set items to display as main, 2nd, and 3rd display of SC-U1.



	Measurement item	Display item		Factory default setting	
		item	Unit		
pH	Main display	pH	pH	pH	
	2nd display	Temperature	Temperature	°C	Temperature
		—	OFF	—	
	3rd display	—	OFF	—	OFF
Electromotive force		pH mV	mV		
ORP	Main display	ORP	ORP	mV	ORP

Installation and setting instructions can be found in the website instruction manual below.

SE-pH-D / SE-ORP-D

Instruction Manual
<https://navi.optex.net/manual/05330/?lang=en>



SC-U1(E)

Installation Manual
<https://navi.optex.net/manual/05324/en/index.html?type=installationmanual>



Operation Manual
<https://navi.optex.net/manual/05324/en/index.html?type=operationmanual>

