

Assembled sensor with Digital output for pH and ORP



pH Checker
SE-pH-D
ORP Checker
SE-ORP-D

■ Easy to replace the electrode
No need of any tool when replacing.



Applications



Wastewater treatment



Water purification plant

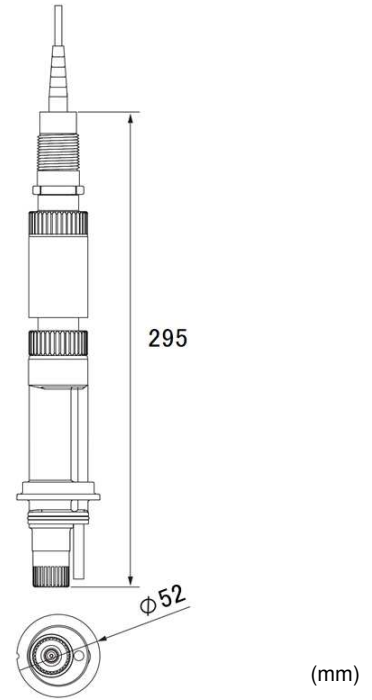
pH Checker ORP Checker

SE-pH-D/SE-ORP-D

Specifications

Description	pH Checker		ORP Checker
Model	SE-pH-D		SE-ORP-D
Measurement item	pH/temperature		ORP
Measurement range	pH	0.00 to 14.00 pH	-1500 to 1500 mV
	Temperature	0.0 to 60°C	
	Electromotive force	-500.00 to 500.00 mV	
Display resolution	pH	0.01 pH	1 mV
	Temperature	0.1°C	
	Electromotive force	0.01 mV	
Power supply	6 to 40 VDC		
Current consumption	5 mA		
Communications	MODBUS		
Operating temp.	0 to 60°C		
Dimensions	Φ52 x 295 mm		
Weight	0.57 kg		
Cable length	6 m		
Main material	PPS		

Dimensions



Optional items

Universal transmitter : SC-U1(E)

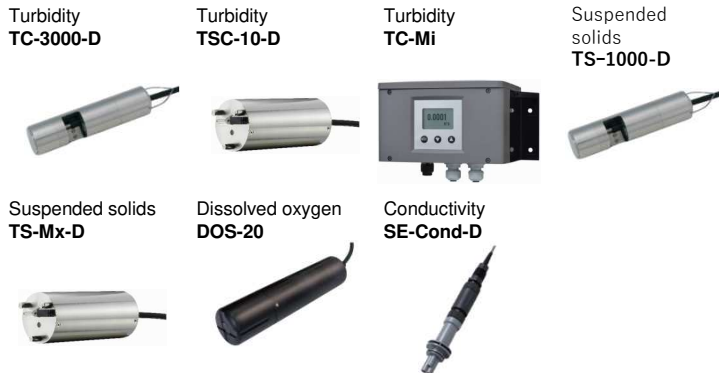
- 2 sensors can be installed.
(max. 4 sensors can be installed when using expansion board)
- 4-20 mA output
- Relay output



Replacement electrode: SE-pH-EL (for SE-pH-D) SE-ORP-EL (for SE-ORP-D)



OPTEX sensors line-up



●The appearance and specifications are subject to change for improvement without prior notice. ●The colors might be slightly different from the actual products. ●Safety Precautions: Read the instruction manual carefully and thoroughly before using the appliance, and then use it correctly. ●The products have a limited life. Maintenance and replace it regularly.

OPTEX CO., LTD.

5-8-12, Ogoto, Otsu, Shiga, 520-0101 Japan
Tel.+81-77-579-8680 Fax.+81-77-579-8199
www.optex.co.jp/e/