

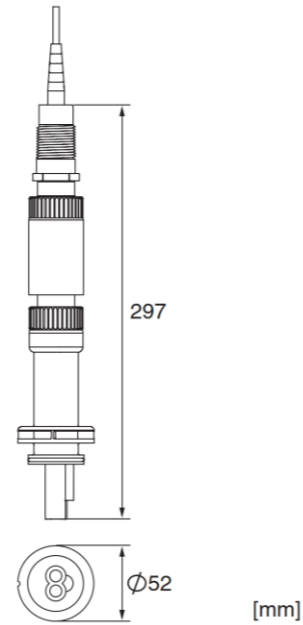
Conductivity Sensor SE-Cond-D



Specifications

Model	SE-Cond-D
Measurement parameter	Conductivity
Display resolution	0.01 mS/cm 0.001 S/m 0.1 g/L
Power supply voltage	6 ~ 40 VDC
Current consumption	Less than 7 mA
Communications	MODBUS
Operating temp.	0 ~ 70°C (unfrozen)
Dimensions	Φ52 x 297 mm
Weight	0.53 kg
Cable length	6 m
Main material	PPS

Dimensions



Assembled sensor with Digital output for Conductivity



Conductivity Sensor SE-Cond-D

OPTeX sensors line-up



Optional items

Universal transmitter : SC-U1(E)

- 2 sensors can be installed.
(max. 4 sensors can be installed when using expansion board)
- 4-20 mA output
- Relay output



Replacement electrode: SE-pH-EL (for SE-pH-D) SE-ORP-EL (for SE-ORP-D)



■ Easy to replace the electrode
No need of any tool when replacing.



Applications



Natural environment



Wastewater

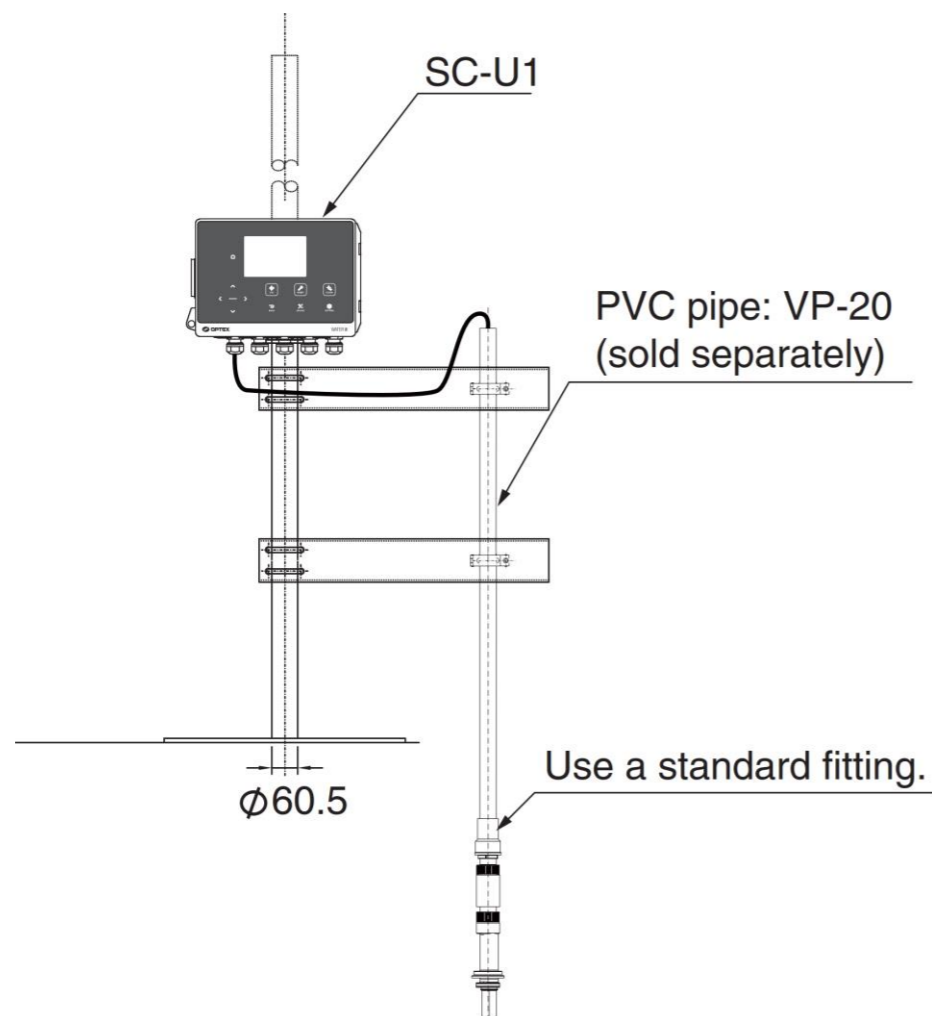
●The appearance and specifications are subject to change for improvement without prior notice. ●The colors might be slightly different from the actual products. ●Safety Precautions: Read the instruction manual carefully and thoroughly before using the appliance, and then use it correctly. ●The products have a limited life. Maintenance and replace it regularly.

OPTeX CO., LTD.
5-8-12, Ogoto, Otsu, Shiga, 520-0101 Japan
Tel.+81-77-579-8680 Fax.+81-77-579-8199
www.optex.co.jp/e/

Recommended installation example

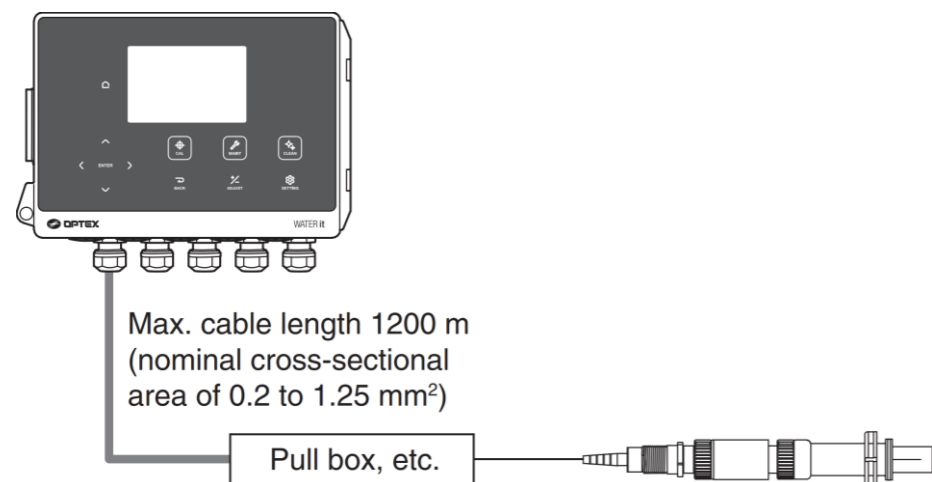
When installing the sensor in locations with high flow rates, make sure that the mounting brackets are sufficiently strong.

* The PVC pipe VP-20 and a standard fitting to be prepared by the user.



Extension of sensor cable

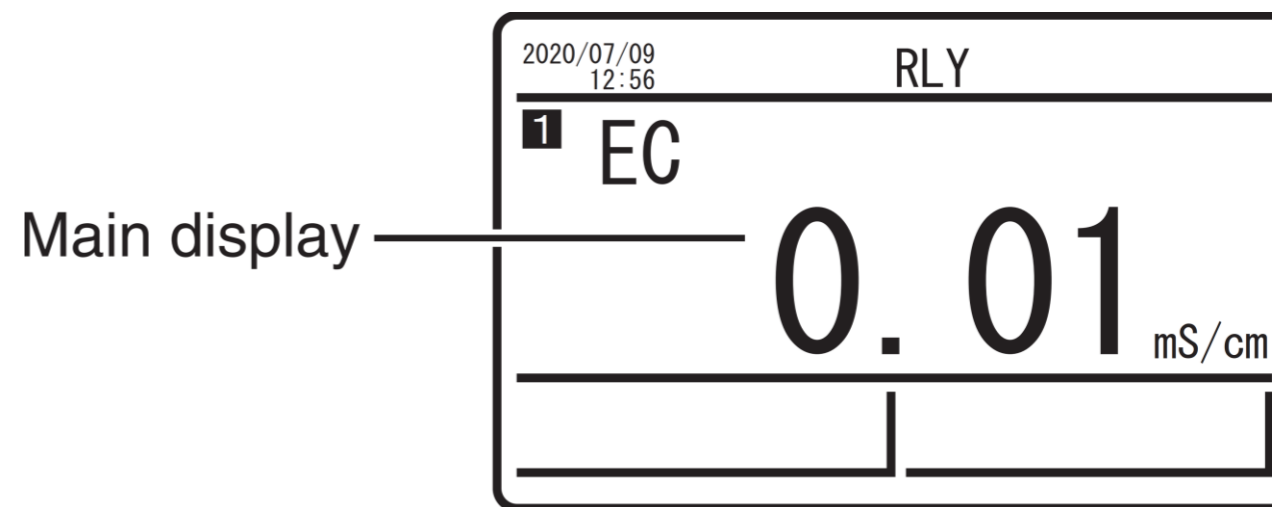
The standard length of the sensor cable is 6 m. To extend the cable, refer to the following. To extend the cable, connection using pull box is recommended.



For the sensor cable, use a shielded cable with a nominal cross-sectional area of 0.2 to 1.25 mm².

Display item

Set the conductivity items to display as the main display of SC-U1.



	Measurement item	Display item		Factory default setting
		item	Unit	
Main display	Conductivity	EC (0.00 ~ 10.00mS/cm)	mS/cm	EC (0.00 ~ 10.00mS/cm) mS/cm
		EC (0.00 ~ 10.00)	—	
		EC(0.000 ~ 1.000S/cm)	S/cm	
		EC(0.000 ~ 1.000)	—	
		EC (0.0 ~ 30.0g/L)	g/L	

Installation and setting instructions can be found in the website instruction manual below.

SE-Cond-D

Instruction Manual
<https://navi.optex.net/manual/05329/?lang=en>



SC-U1(E)

Installation Manual
<https://navi.optex.net/manual/05324/en/index.html?type=installationmanual>



Operation Manual
<https://navi.optex.net/manual/05324/en/index.html?type=operationmanual>

