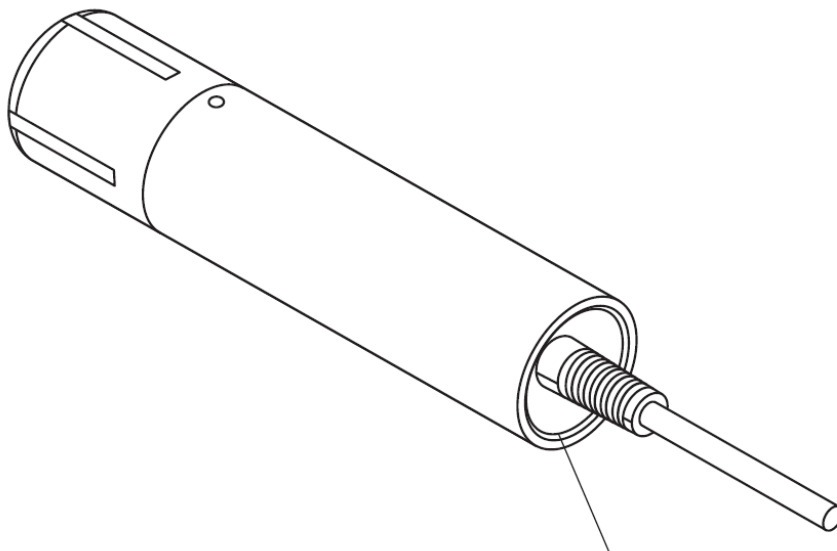
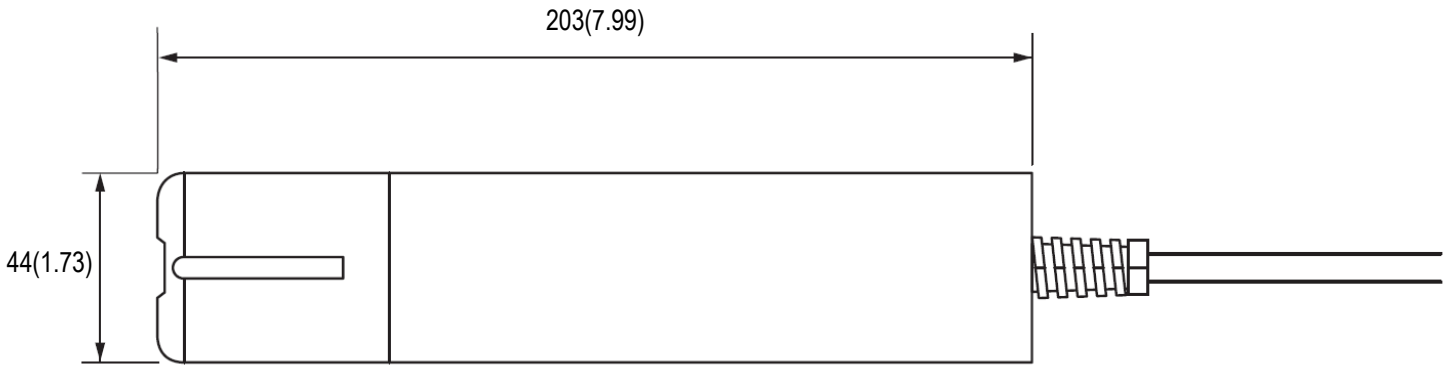


DIMENSIONS

DOS-20



1 1/4-1 1/2 NPT Internal thread

mm(in)