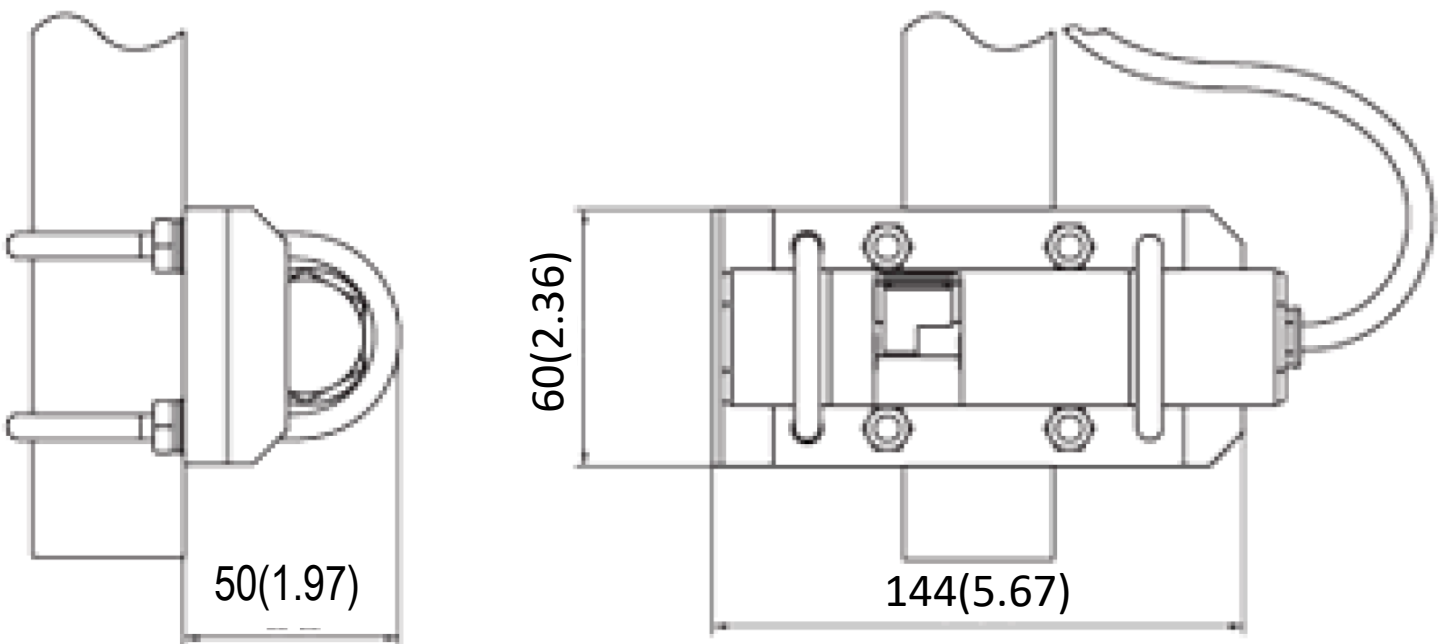


---

DIMENSIONS

TA-1

---



mm(in)