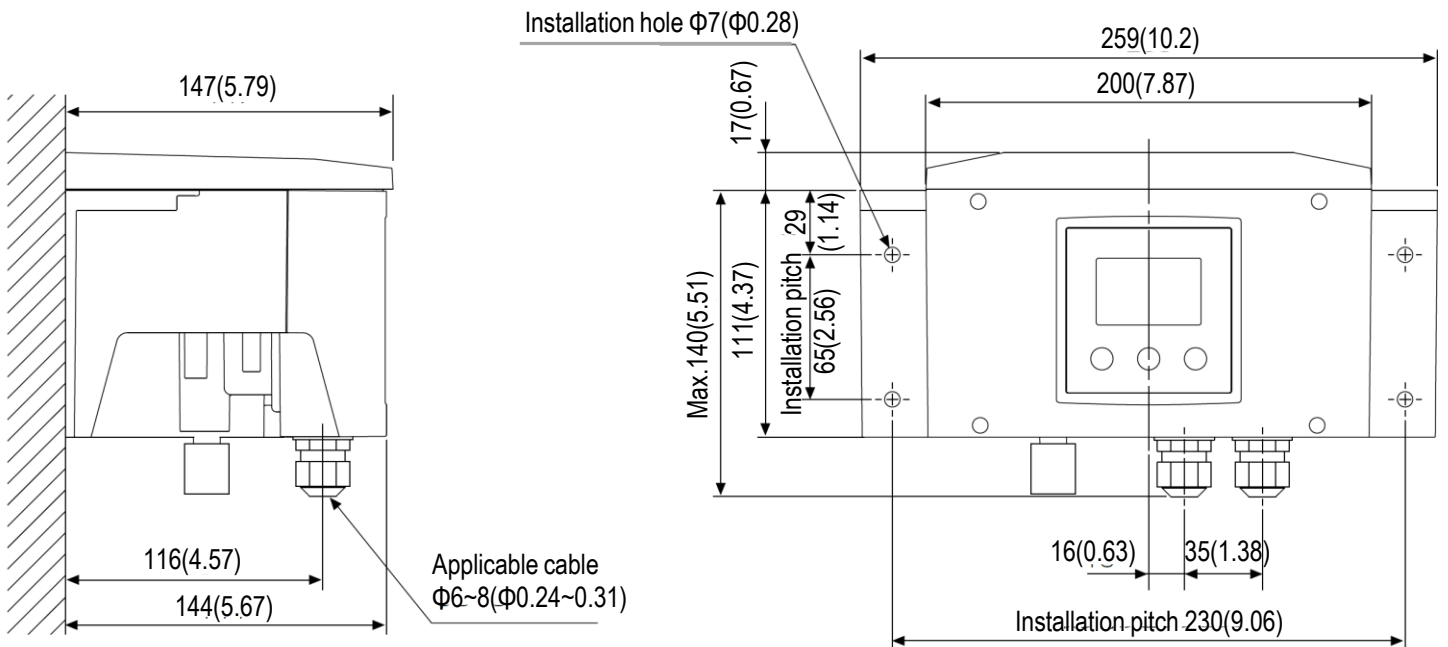


# DIMENSIONS

TC-Mi



mm(in)