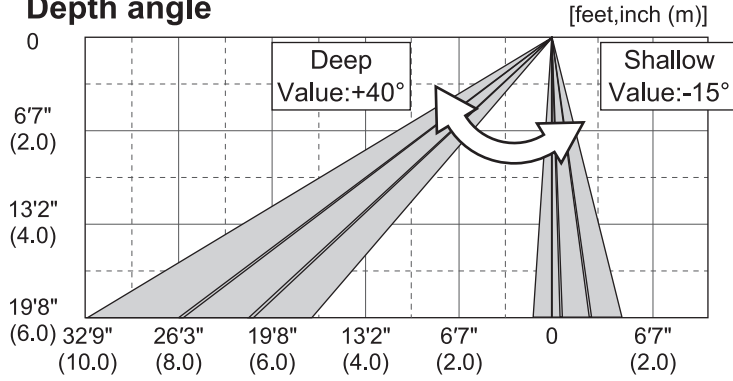


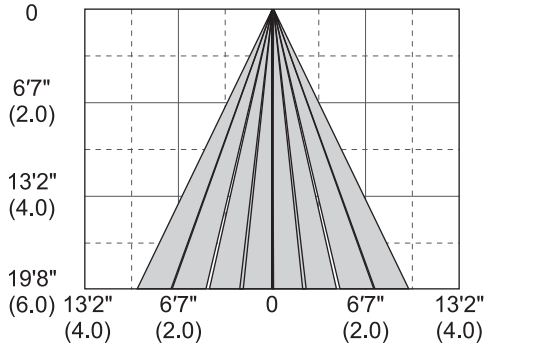
AIR area

Depth angle



Width

Front view

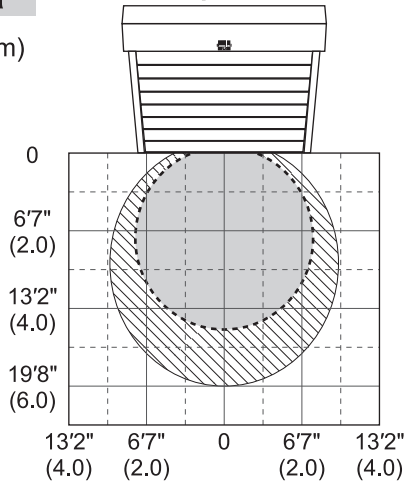


Microwave area

Mounting height: 13'2" (4m)
 Depth angle: +30°
 Sensitivity: Lv5
 Sensitivity (pre-notification): Lv9
 Target: Vehicle

- : Microwave detection area
- : Microwave detection area (pre-notification)

Top view



Model	: OAM-EXPLORER	Operating temperature	: -31 to 131 °F (-35 to +55°C)
Color	: Black	Operating humidity	: < 80%
Mounting height	: 6'7" to 19'8" (2.0m to 6.0m) (*1)	Communication method	: Bluetooth LE
Transmitter frequency	: 24.2GHz	Activation output	: Form A relay 50V 0.3A Max. (Resistance load)
Transmitter radiated power	: < 12.7dBm	Supplemental safety output	: Form B relay 50V 0.3A Max. (Resistance load)
Detection area	: See Detection area	AUX output (*3)	: Form A relay 50V 0.3A Max. (Resistance load)
Detection method	: Microwave Doppler effect Active infrared reflection (*2)	Protection degree	: IP65 / NEMA4
Depth angle adjustment	: Microwave area 0 to +50° AIR area -15 to +40°	Weight	: 21.2oz (600g)
Power supply	: 12 to 24VAC ±10% (50/60Hz) 12 to 30DVC ±10%	Accessories	: 1 Operation manual 2 Mounting screws 1 Mounting template 1 Cable 32'10" (10m)
Power consumption	: < 3.5W (< 5.0VA at AC)		
Operation indicator	: See Checking		
Output hold time	: Approx. 0.5 sec. (Selectable via app)		
Response time	: < 0.3 sec. (Selectable via app)		

NOTE The specifications given herein are subject to change without prior notice due to improvements.

* 1: A person can be detected at an installation height up to 17'1" (5.2m).

* 2: Active infrared reflection has a presence detection function.

* 3: The sensor can send an output to other devices such as a flashing light and alert sound.

