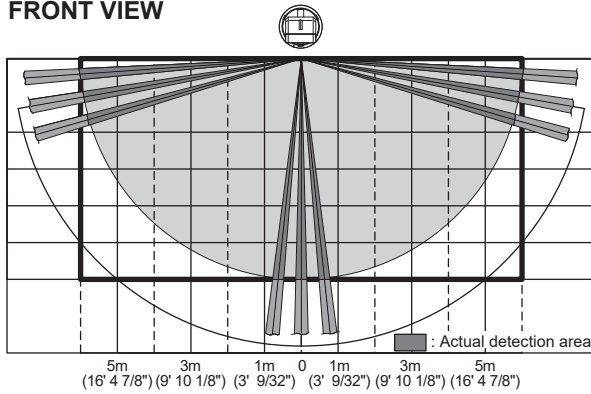
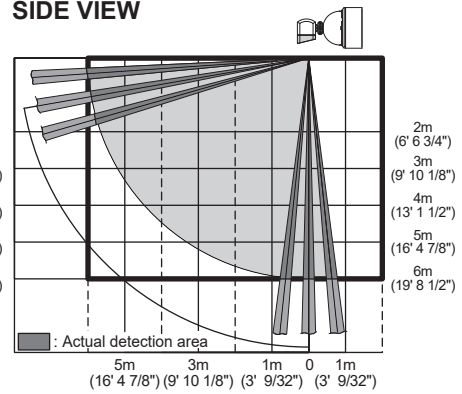


FRONT VIEW



SIDE VIEW

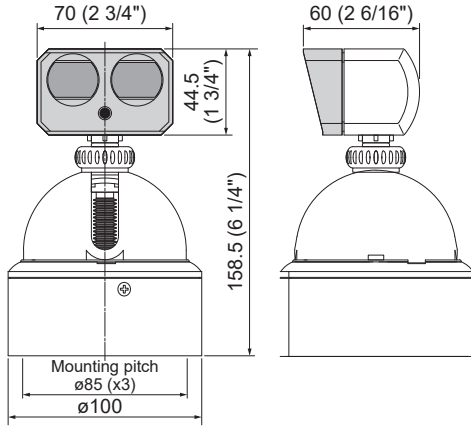


NOTE The actual detection area may become smaller depending on the ambient light, the color / material of the object or the floor as well as the entry speed of the object.

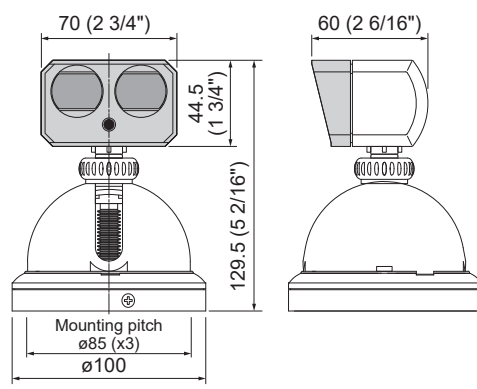
Model	OA-6000S	OA-6000T
Detection range	2.0 to 6.0m (6' 6 3/4" to 19' 8 1/2")	
Detection method	Active infrared reflection method	
Detection range (Vertical)	-80° to +80° (Deep/Shallow)	
Detection range (Right & Left)	360°	
Power supply	24VDC	
Power consumption	< 1.5W (24VDC)	< 2.5W (24VDC)
Current consumption	< 65mA (24VDC)	< 105mA (24VDC)
Operation indicator	Stand-by : LED ON Detection : LED OFF Infinite detection : LED blinking	
Output	NPN 40mA Max. / 24VDC	"Form A" relay 100VAC 1A 30VDC 0.1A Max.
Relay hold time	Approx. 0.5sec.	
Operating temperature	-20 to +55°C (-4 to 131°F)	
Weight	200g (7.1oz)	290g (10.2oz)
Accessories	1 Operation manual 2 Mounting screws 1 Mounting template	

NOTE The specifications herein are subject to change without prior notice due to improvements.

OA-6000 T



OA-6000S



[mm (inch)]