



- Waterproof IPx5* ✓
- Disturbance immunity* ✓
- Rigid body* ✓

*EnOcean ready and applicable to light and HVAC controls.*

## ***C-series* Occupancy sensor & switch**



# Occupancy sensor & switch

## Applications

- Offices : Security, Room Monitoring, Reception Notification, HVAC, Lighting control, etc.
- Shopping malls : Security, People counting, Intrusion Notification, Lighting control, etc.
- Hotels : Terrace security, Garden lighting, Room management, etc.
- Care houses : Utility monitoring, Activity tracking, etc.



## FEATURES

### Waterproof (IPx5)

Can be freely installed indoors and outdoors.

### Monolithic design

Applicable to smart offices and highly ranked hotels.

### Rigid body

UV resistant, Hard lens shell, Durable switching mechanism

### No battery replacement

Hybrid of solar panel and lithium battery enables no Battery replacement even in darkness.

### Disturbance immunity

Long years' engagement in sensing technology made Optex well known for its stability and durability among professional installers. Our performance criteria includes high immunity to extraordinary changes in light, wind, heat and radio conditions.



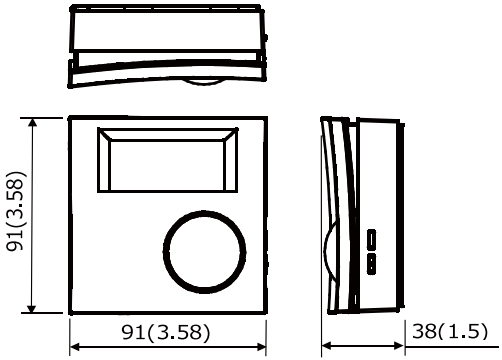
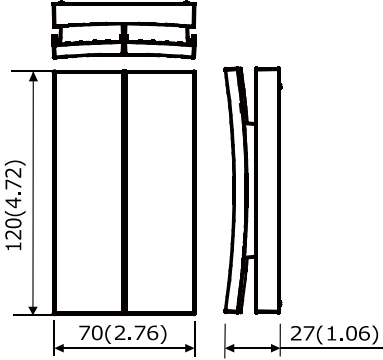
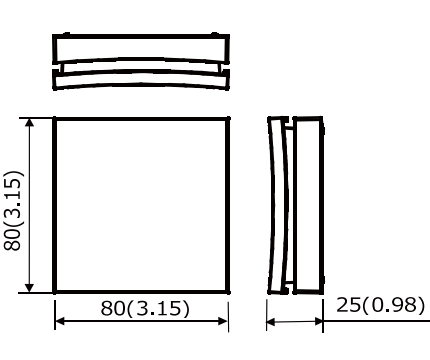
EnOcean is a "energy harvest" wireless protocol internationally prevailed especially in building automation industry. It is unique in generating power by means of light, humidity and vibration.

## SPECIFICATIONS

		Occupancy sensor	Switch	
			Rectangle type	Square type
Mounting position		Ceiling (Indoor/Outdoor)	Wall/Desk(Indoor/Outdoor)	
IP rate		IPX5		
Temperature range		-10 <sup>o</sup> ~50 <sup>o</sup> C(+14 <sup>o</sup> F~+122 <sup>o</sup> F)		
Humidity limitation		95% (max)		
Power source		Hybrid [Solar panel + Lithium battery (CR123A×1)] * CR123A is not included(Optional but required) * Operation in darkness * Solar battery automatically provided when available	Pressing switch generates electric power enough to send signal	
Battery life (under 25 <sup>o</sup> C)		Approximately 10 years ※1	No battery needed	
Wireless protocol		EnOcean 868MHz(EU) EEP A5-07-01 902MHz(US) EEP A5-07-01 928MHz(JP) EEP A5-07-01	EnOcean 868MHz(EU) EEP F6-02-01 902MHz(US) EEP F6-02-02 928MHz(JP) EEP F6-02-04	
Wireless range		Approximately 25 meters (83.3ft) (in an openline of sight) ※2		
Sensor	Detection method	Passive Infrared	-	
	Mounting height	2~3m(6.7-10ft)	-	
	Detection area	6 m(20ft) in diameter	-	
Switch	Type	-	Single / Double	
Weight		180g (6.35oz) (including a CR123A battery)	120g(4.32oz)	100g(3.53oz)
Mounting equipment		Mounting screws		

※1 Battery life is subject to change depending on usage environment. ※2 Wireless range is subject to change depending on usage environment.

## DIMENSIONS unit: mm(inch)

■Occupancy sensor	■Switch(Rectangle) Single/Double	■Switch(Square) Single/Double
 <p>91(3.58) 91(3.58) 38(1.5)</p>	 <p>120(4.72) 70(2.76) 27(1.06)</p>	 <p>80(3.15) 80(3.15) 25(0.98)</p>