

LASER WINDOW/ with HEATER

RLS-LWV/ -LWVH
REDS CAN PRO

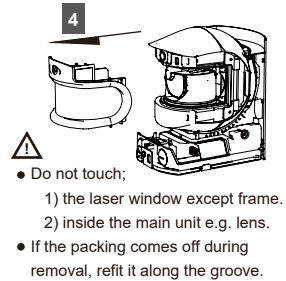
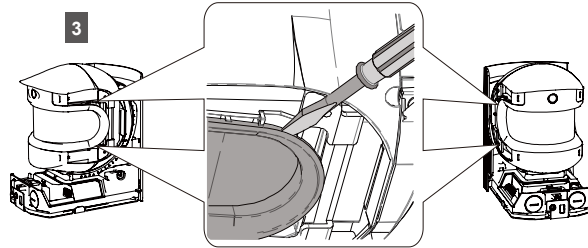
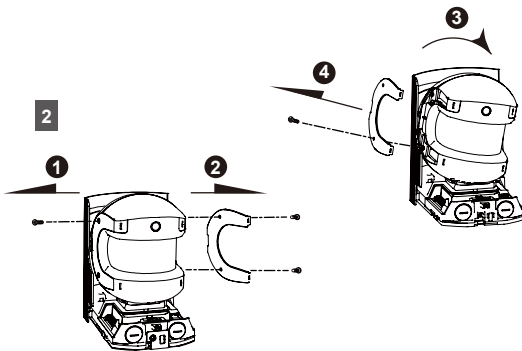

Web navigation with guide animation;

<https://navi.optex.net/manual/50387>

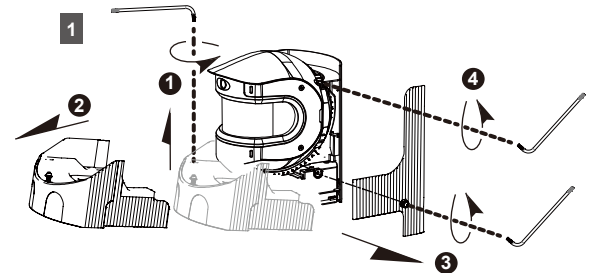
1 Before installation


Caution

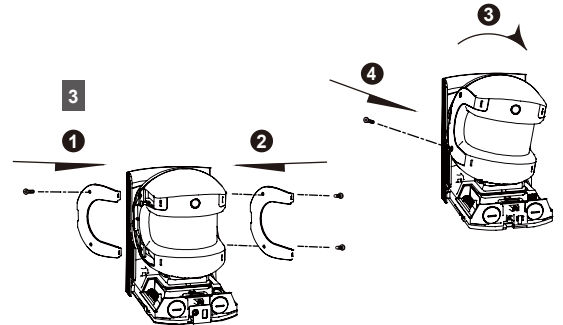
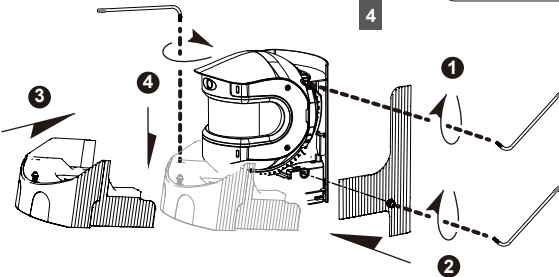
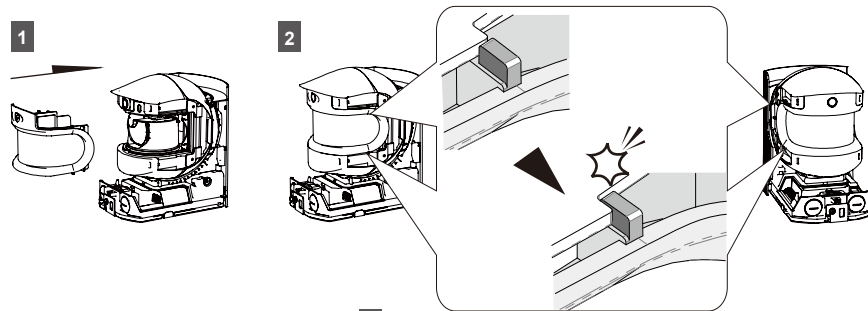
- Use exclusively with the REDSCAN Pro series.
- Dust and moisture may affect the performance.
The replacement should be done in the condition that rain and dust do not enter the unit.
- Be sure to turn OFF the power supply when mounting or removing the laser window.



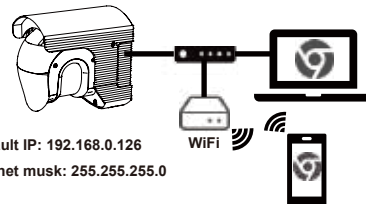
2 Removing



3 Installing



4 Setting



Default IP: 192.168.0.126

Subnet mask: 255.255.255.0

EU contact information

Manufacturer:

 OPTEx CO., LTD.
5-8-12 Ogoto Otsu Shiga, 520-0101 JAPAN

Authorised representative in Europe:

 OPTEx (EUROPE) LTD./EMEA HEADQUARTERS
Unit 13, Cordwallis Park, Clivemont Road,
Maidenhead Berkshire, SL6 7BU U.K.

OPTEx CO., LTD. (JAPAN)
www.optex.net
OPTEx INC./AMERICAS HQ (U.S.)
www.optexamerica.com
OPTEx SECURITY SAS (France)
www.optex-europe.com/fr
OPTEx (EUROPE) LTD./EMEA HQ (U.K.)
www.optex-europe.com
OPTEx SECURITY Sp.z o.o. (Poland)
www.optex-europe.com/pl
OPTEx TECHNOLOGIES B.V. (The Netherlands)
www.optex-europe.com/nl
OPTEx PINNACLE INDIA, PVT., LTD. (India)
www.optexpinnacle.com
OPTEx KOREA CO.,LTD. (Korea)
www.optexkorea.com
OPTEx (DONGGUAN) CO.,LTD. SHANGHAI OFFICE (China)
www.optexchina.com
OPTEx (Thailand) CO., LTD. (Thailand)
www.optex.co.th