

Emitting area

		A (Mounting height)			
		2000	2200	2500	3000
Depth	C	550	610	690	830
	D	1130	1250	1420	1700
	E	2000	2210	2510	3010
Width	F	1040	1150	1430	1560
	G	1720	1900	2150	2590
	H	2260	2490	2820	3390

[mm]

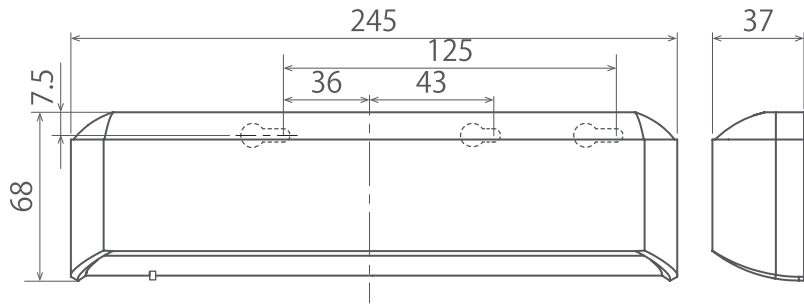
Charts show the values in the following area angle adjustment settings ; Depth : +8°  
Width : 0°

Model	: OA-FUNXION LITE V
Cover color	: Silver
Mounting height	: 2.0 to 3.0 m
Detection method	: Active infrared reflection
Area angle adjustment	: Depth : -8° to +8° , Width : ±7°
Power supply (*)	: 12 to 110 V AC/DC±10 % (50/60 Hz)
Power consumption	: < 2.0 W (< 5 VA at AC)
Output hold time	: Approx. 500 ms
Response time	: < 300 ms
Operating temperature	: -20 to +55° C
Operating humidity	: < 80 % (Non-condensing)
Output	: Form A relay 50 V 0.1 A Max. (Resistance load)
Weight	: 210 g
Accessories	: 2 Mounting screws, 1 Mounting template, 1 Area adjustment tool, 1 Cable 2.5 m

**NOTE**

The specifications herein are subject to change without prior notice due to improvements.

\* : When using this sensor, the sensor has to be connected to a door system which has the SELV circuit.



[mm]