

**Confirming the detection area**

Detection area are shown in the figure below.  
Be sure to confirm all the detection areas.

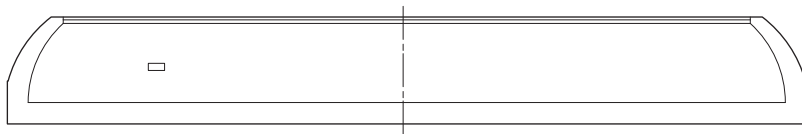
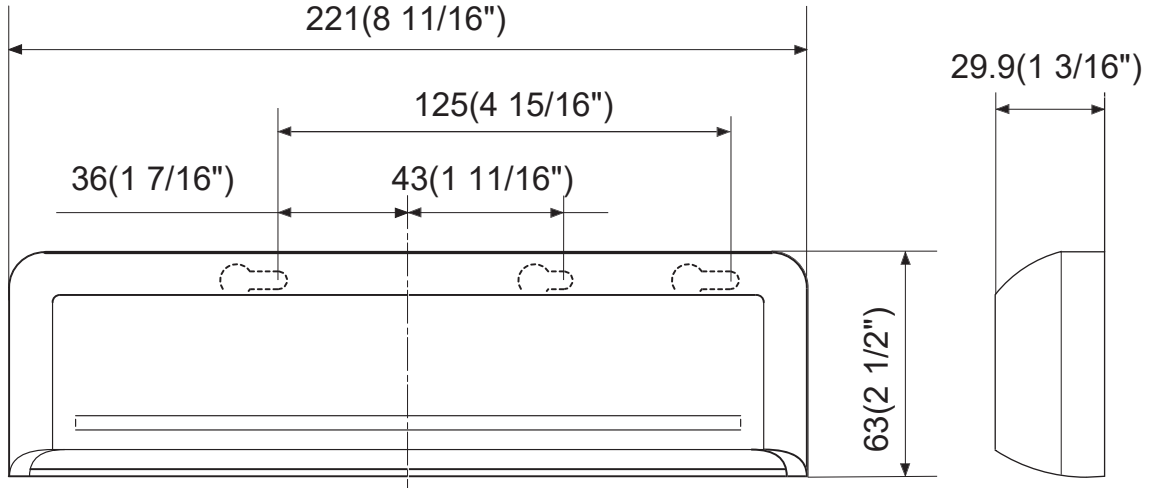
	[m]				
A	2.00	2.20	2.50	2.70	3.00
B	0.14	0.16	0.18	0.19	0.21
C	1.18	1.30	1.48	1.59	1.77
D	0.16	0.18	0.20	0.22	0.25
E	2.10	2.30	2.60	2.80	3.10

	[feet,inch]				
A	6' 6 3/4"	7' 2 5/8"	8' 2 7/16"	8' 10 5/16"	9' 10 1/8"
B	5 1/2"	6 5/16"	7 1/16"	7 1/2"	8 1/4"
C	3' 10 7/16"	4' 3 3/16"	4' 10 1/4"	5' 2 5/8"	5' 9 11/16"
D	6 5/16"	7 1/16"	7 7/8"	8 11/16"	9 13/16"
E	6' 10 11/16"	7' 6 9/16"	8' 6 3/8"	9' 2 1/4"	10' 2 11/16"

Model	: OA-203C-2	Output	: "Form C" relay 50V 0.3A Max. (Resistance load)
Cover color type	: Silver / Black	Relay hold time	: 0.5sec.
Mounting height	: 3.0m (9'10") Max.	Response time	: < 0.3sec.
Detection area	: See " <b>DETECTION AREA</b> "	Operating temperature	: -20°C to +55°C (-4°F to +131°F)
Detection method	: Active infrared reflection method	Weight	: 200g (7.1oz)
Detection angle adjustments	: ±4° adjustable by 1° every one click (Deep / Shallow)	Accessories	: 1 Cable 3m (9'10") 2 Mounting screws 1 Operation manual 1 Mounting template 1 Area adjustment tool
Detection width adjustments	: ±7° adjustable by 3.5° every one click (Right / Left)		
Power supply	: 12 to 30VAC / DC		
Current draw	: 160mA Max. (At 12VAC)		
Operation indicator	: Green / Stand-by Red / Doorside area detection Orange / Active area detection		

**NOTE**

The specifications herein are subject to change without prior notice due to improvements.



mm(inch)