

Sensor setting
 Depth angle adjustment : 0°

□ : Emitting spots
 ■ : Emitting spots (can be eliminated)

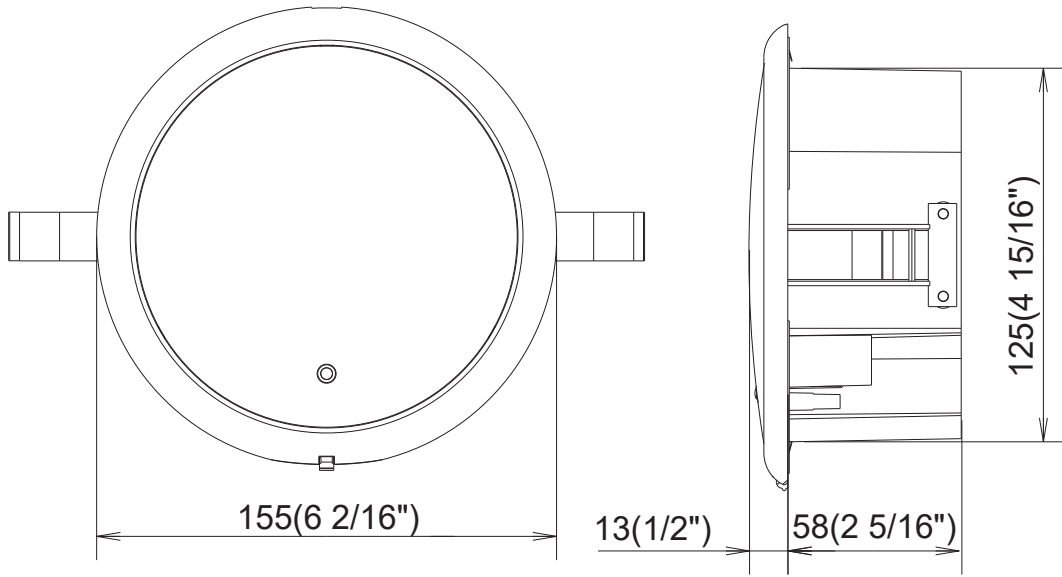
	[m(feet,inch)]				
A	2.20 (7'3")	2.50 (8'2")	3.00 (9'10")	3.50 (11'6")	4.00 (13'1")
B	0.13 (5.1")	0.15 (5.9")	0.18 (7.1")	0.21 (8.3")	0.24 (9.4")
C	0.37 (1'3")	0.43 (1'5")	0.51 (1'8")	0.60 (1'12")	0.69 (2'3")
D	0.63 (2'1")	0.72 (2'4")	0.87 (2'10")	1.01 (3'4")	1.16 (3'10")
E	0.93 (3'1")	1.06 (3'6")	1.28 (4'2")	1.49 (4' 11")	1.71 (5'7")
F	1.24 (4'1")	1.41 (4'8")	1.70 (5'7")	1.98 (6'6")	2.26 (7'5")
G	1.08 (3'7")	1.24 (4'1")	1.48 (4'10")	1.73 (5'8")	1.98 (6'6")
H	1.65 (5'5")	1.88 (6'2")	2.25 (7'5")	2.63 (8'8")	3.00 (9'10")
I	2.25 (7'5")	2.57 (8'5")	3.08 (10'1")	3.59 (11'9")	4.10 (13'5")

NOTE The actual detection area may become smaller depending on the ambient light, the color / material of the object or the floor as well as the entry speed of the object.

*The values of the chart above is of the emitting spots, but not of the detection area.

Model	: OA-72C	Output	: Form C relay
Cover color	: Silver		: 50V 0.3A max.(resistance load)
Mounting height	: 2.0 (6'7") to 4.0m (13'1")	Output hold time	: Approx. 0.5sec.
Detection area	: See DETECTION AREA	Response time	: < 0.3sec.
Detection method	: Active Infrared Reflection	Operating temperature	: -20°C to +55°C (-4°F to 131°F)
Depth angle adjustment	: -15° to +10°	Weight	: 320g (11.2oz)
Width angle adjustment	: -10° to +10°	Accessories	: 1 Cable 3m (9'10")
Power supply	: 12 to 24VAC (±10%)		: 1 Operation manual
	: 12 to 30VDC (±10%)		: 1 Mounting template
Power consumption	: < 1.5W (< 5VA at AC)		
Operation LED	: Green / Stand-by		
	: Red / 1st row detection		
	: Orange / 2nd to 5th rows detection		

NOTE The specifications herein are subject to change without prior notice due to improvements.



[mm (inch)]