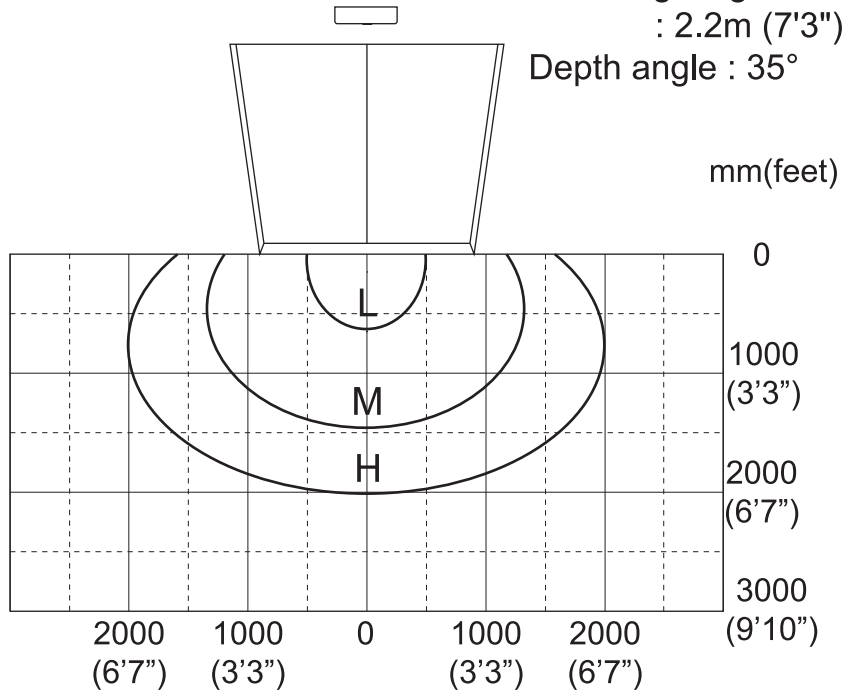


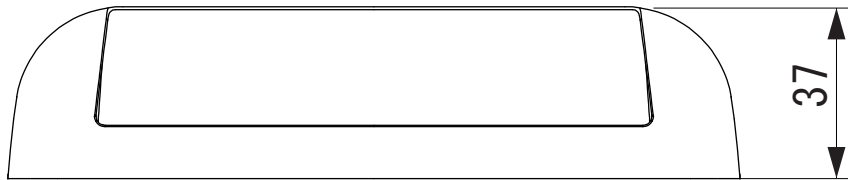
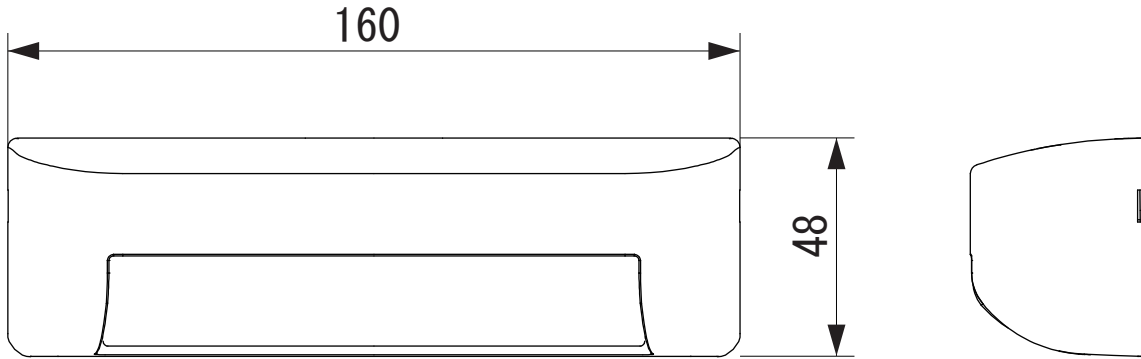
Detection area

Mounting height
: 2.2m (7'3")
Depth angle : 35°



Model	: OM-104C	Output	: Form A relay
Cover color	: Silver / Black		: 50V 0.1A Max.(Resistance load)
Mounting height	: 2.0 (6'7") to 3.5m (11'5")	Output hold time	: 0.5sec.
Detection method	: Microwave doppler effect	Response time	: <0.3 sec.
Power frequency	: 24.125GHz	Operating humidity	: <80%
Power density	: <20dBm	Operating temperature	: -20°C to +55°C(-4°F to 131°F)
Detection area	: See ADJUSTMENT	IP rate	: IP54
Minimum detection speed	: 5cm(1 15/16")/sec.	Weight	: 120g (4.2oz)
Vertical adjustment	: +35° to +55° (5° per click)	Accessories	: 1 Cable 2.5m (8'2")
(without stopper)	: +25° to +55° (5° per click)		: 1 Operation manual
Power supply	: 12 to 24VAC(±10%)		: 2 Mounting screws
	: 12 to 30VDC(±10%)		
Power consumption	: < 0.7W(<1.3VA at AC)		
Current draw	: < 45mA (at 12VDC)		
Operation indicator	: Red / Stand-by		
	: None / Detection		
	: Red blinking / Set-up		

The specifications herein are subject to change without prior notice due to improvements.



[inch (mm)]