

# Header mount Active Infrared Door Sensor for Swing Door



## Pro-Swing **PREMIER T**

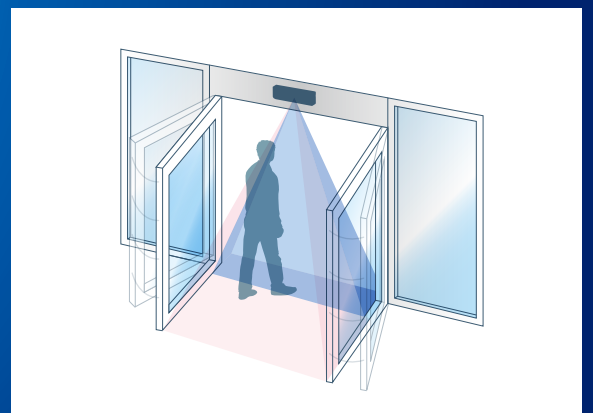
Sensor head : OA-613 T  
Controller : OC-913C T

### *Premium Safety and Efficiently*

- Full open Full closed Swing Area detection
- Universal compatibility with all operators
- Full open look-back through the threshold



Black

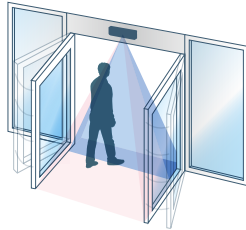


ECO

ELIMINATES startle factor  
by providing full swing area coverage  
Closed / Open / In Motion without  
additional OHP



How it Works: When the approach area detects a person or object, the sensor will activate the door and turn on the "BLUEZONE" which detects through the threshold. As long as someone is in the detection area, the sensor will keep the door in the open position. Once the area is cleared, the "BLUEZONE" will ignore the door panels and allow the door to safely close.



## Monitoring Capability

PREMIER T has built-in "monitoring capability". PREMIER T monitors all its critical functions and notifies compatible controls when an error occurs. Self monitoring capability ensures a higher level of performance over the life of the sensor.

Complied with New ANSI standard

## Detection Area

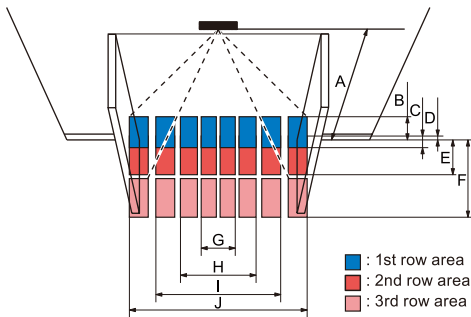
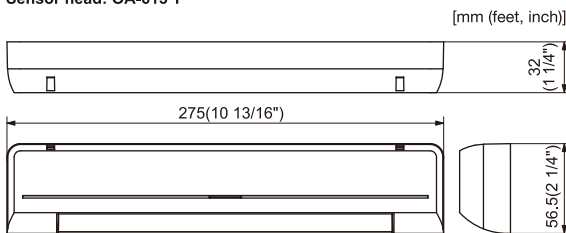


Chart shows figures if all angles are set at 0degree.

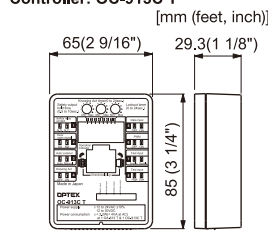
|   | [feet, inch (mm)] |              |              |
|---|-------------------|--------------|--------------|
| A | 6'7" (2000)       | 7'3" (2200)  | 2500 (8'2")  |
| B | 1'2" (364)        | 1'4" (400)   | 1'6" (455)   |
| C | 7" (182)          | 8" (200)     | 9" (227)     |
| D | 1" (23)           | 1" (25)      | 1" (28)      |
| E | 2'2" (664)        | 2'5" (730)   | 2'9" (830)   |
| F | 4'7" (1391)       | 5'1" (1530)  | 5'9" (1739)  |
| G | 2'3" (682)        | 2'6" (750)   | 2'10" (852)  |
| H | 4'4" (1318)       | 4'9" (1450)  | 5'5" (1648)  |
| I | 6'9" (2045)       | 7'5" (2250)  | 8'5" (2557)  |
| J | 9'5" (2864)       | 10'4" (3150) | 11'9" (3580) |

## Dimensions

### Sensor head: OA-613 T



### Controller: OC-913C T



## Specifications

|                       |                                                                                                                                                                                                       |
|-----------------------|-------------------------------------------------------------------------------------------------------------------------------------------------------------------------------------------------------|
| Model (System name)   | PREMIER T                                                                                                                                                                                             |
| Power supply          | 12 to 24 VAC ±10% (50 / 60 Hz)<br>12 to 30 VDC                                                                                                                                                        |
| Power consumption     | < 2.2 W (< 4 VA at AC)<br>at 1 OA-613 T & 1 OC-913C T                                                                                                                                                 |
| Output *              | CMOS. Relay voltage / 5 VDC                                                                                                                                                                           |
| Test input            | Opto coupler<br>Voltage 5 to 30 VDC<br>Current 6 mA Max. (30 VDC)                                                                                                                                     |
| Output hold time      | 0.5 sec. fixed (Activate output)<br>0.5 sec. to 10 sec. (Safety output)                                                                                                                               |
| Response time         | < 0.3 sec.                                                                                                                                                                                            |
| Operating temperature | -4 to 131°F (-20 to +55°C)<br>without dew condensation                                                                                                                                                |
| Operating humidity    | < 80%                                                                                                                                                                                                 |
| Accessories           | 1 Spec manual<br>1 Installation manual<br>2 Mounting screws<br>1 Mounting templates for OA-613 T<br>1 Communication cable 3'3" (1 m)<br>1 Wiring cable 2' (0.6 m)<br>1 Velcro tape<br>2 Wiring shells |

|                        |                                            |
|------------------------|--------------------------------------------|
| Model (Sensor head)    | OA-613 T                                   |
| Cover color            | Black                                      |
| Mounting height        | 6'7" (2.0 m) to 8'2" (2.5 m)               |
| Detection area         | See DETECTION AREA                         |
| Detection method       | Active infrared reflection **              |
| Depth angle adjustment | 1st row area ±5°<br>2nd & 3rd row area ±5° |
| IP rate                | IP44                                       |
| Weight                 | 8.1 oz (230 g)                             |

|                    |               |
|--------------------|---------------|
| Model (Controller) | OC-913C T     |
| Weight             | 2.3 oz (65 g) |

\* : Two type of outputs (Activate , Safety)

\*\* : All rows have the presence detection.

### Manufacturer / Asia sales Div.

#### OPTEX CO.,LTD.

5-8-12 Ogoto Otsu Shiga 520-0101 Japan  
TEL.: +81-77-579-8360 FAX.: +81-77-579-8190

#### Asia Sales Div.

TEL.: +81-77-579-8030 FAX.: +81-77-579-8136  
WEBSITE: www.optex.co.jp/as/eng/index.html

### North and South American Subsidiary

#### OPTEX INCORPORATED. AMERICAS HEADQUARTERS

18730 South Wilmington Ave. Suite 100 Rancho Dominguez, CA 90220 U.S.A.  
TOLL-FREE: 800 877 6656 FAX.: +1 310 214 8655  
WEBSITE: www.ot-inc.com

#### East Coast Office

8510 McAlpines Park Drive, Suite 108 Charlotte, NC 28211 U.S.A.  
TOLL-FREE: 800 877 6656 FAX.: +1 704 365 0818  
WEBSITE: www.ot-inc.com

### European Subsidiary

#### OPTEX Technologies B.V.

Henricuskade 17, 2497 NB The Hague, The Netherlands  
TEL.: +31(0)70 419 41 00 FAX.: +31(0)70 317 73 21 E-MAIL: info@optex.eu  
WEBSITE: www.optex.eu