

[mm(feet, inch)]

A	2000 (6'7")	2300 (7'6")	2500 (8'2")
B	186 (7")	214 (8")	233 (9")
C	360 (1'2")	414 (1'4")	450 (1'6")
D	152 (6")	175 (7")	190 (7")
E	840 (2'9")	966 (3'2")	1050 (3'5")
F	1650 (5'5")	1898 (6'2")	2063 (6'9")
G	252 (10")	252 (10")	252 (10")
H	593 (1'11")	645 (2'1")	678 (2'3")
I	89 (3")	141 (6")	174 (7")
J	911 (3')	1010 (3'4")	1076 (3'6")
K	407 (1'4")	506 (1'8")	572 (1'11")
L	1275 (4'2")	1428 (4'8")	1531 (5')
M	770 (2'6")	924 (3')	1027 (3'4")
N	1684 (5'6")	1900 (6'3")	2042 (6'8")
O	1180 (3'10")	1395 (4'7")	1538 (5'1")

When the sensor system performs an initial setup to its operating environment detection areas may vary slightly from this chart.

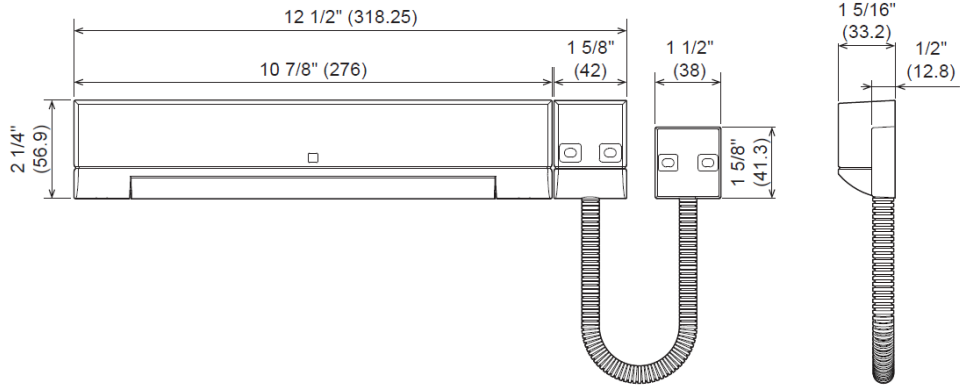
※ The specifications herein are subject to change without prior notice due to improvements.

Door in use	Swing type automatic doors
Product lineup	ELITE PRO (OA-607 T × 2, OC-907C T × 1) : For double low energy or single full energy ELITE PRO2 (OA-607 T × 4, OC-907C T × 1) : For double full energy ELITE PRO LE (OA-607 T × 1, OC-907C T × 1) : For single low energy
Usage location	OA-607 T : Indoors, semi-outdoors OC-907C T : Indoors
Mounting location	OA-607 T : Door mount OC-907C T : Inside transom
Supply voltage	12 to 30 VDC
Power consumption	OA-607 T : 1.0 W or less OC-907C T : 3.0 W or less OC-907C T × 1 + OA-607 T × 4 : 5.5 W or less
Detection method	Active infrared reflection (presence detection type)
Detection area	Threshold area (1st row) : 8 lines × 1 Swing area (2nd, 3rd row) : 8 lines × 2
Detection angle adjustments	Threshold area (1st row) : -5 to +5° (inside and outside) Swing area (2nd, 3rd row) : -5 to +5° (inside and outside)
Settings	Browser setting tool/Dipswitches
Wi-Fi	802.11 b/g/n
Input specifications	Test input : Optocoupler voltage 5 to 30 VDC, current 6 mA max. (30 VDC), polarity free Motor/BG input : Optocoupler voltage 5 to 160VDC, 5 to 120 VAC, 60Hz (polarity free) Knowing act input : Dry contact input Close switch input : Dry contact input
Output specifications	Activation output : Form A relay 50 V, 0.3 A (resistance load) Stall output : Form B relay 50 V, 0.3 A (resistance load)
Mounting height	2.0 to 2.5 m (6'7" to 8'2")
Minimum door speed	2° /s
Response time	< 0.3 s
Operating temperature	-20 to +55° C (-4 to 131° F)
Protection class	OA-607 T : IP44 OC-907C T : IP40
Color	OA-607 T : Black OC-907C T : White
Weight	OA-607 T : 230 g (8.2 oz) OC-907C T : 105 g (3.7 oz)

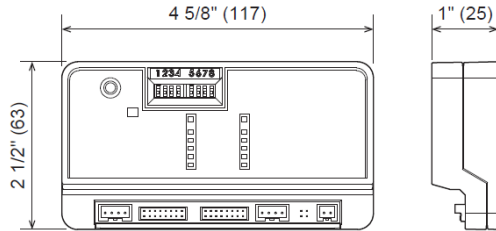
\* Wi-Fi is registered trademarks of Wi-Fi Alliance.

※ The specifications herein are subject to change without prior notice due to improvements.

■ OA-607 T and loop harness



■ OC-907C T



[inch(mm)]

※ The specifications herein are subject to change without prior notice due to improvements.