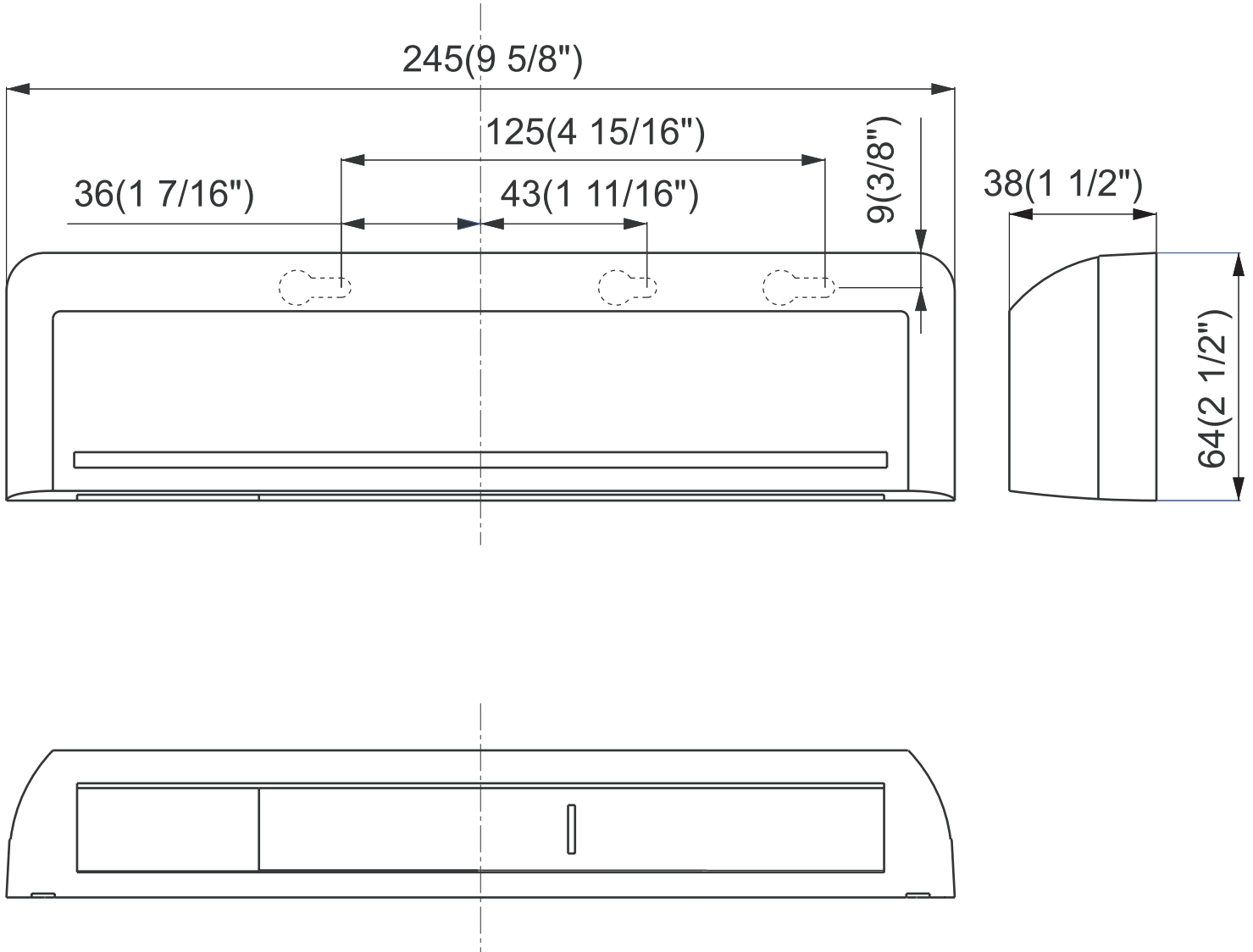


[mm(feet,inch)]

Model	: OA-PRESENCE2
Cover color	: Black / Silver
Mounting height	: 2.0 (6'7") to 3.0m (9'10")
Detection area	: See DETECTION AREA
Detection method	: Active infrared reflection
Depth angle adjustment	: -5° to +5°
Power supply	: 12 to 24VAC ( $\pm 10\%$ ) 12 to 30VDC ( $\pm 10\%$ )
Power consumption	: <2W (<3VA at AC)
Operation LED	: Green / Stand-by Red / Detection active
Safety / Test output	: Opto coupler (NPN) Voltage / 5 to 50 VDC Current / 100mA Max. Dark current / 600nA Max.(Resistance load)
Test input	: Opto coupler Voltage / 5 to 30 VDC Current / 6mA Max. (30VDC)
Output hold time	: Approx. 0.5 sec.
Response time	: <0.3 sec.
Operating temperature	: -20°C to +55°C (-4°F to +131°F )
Operating humidity	: <80%
IP rate	: IP44
Category	: 2 (ISO 13849-2)
Weight	: 260g (9.2oz)
Accessories	: 1 Operation manual 2 Mounting screws 1 Mounting template 1 Cable 3m(9'10") (6 x 0.14mm <sup>2</sup> AWG26 / Overcurrent protection with less than 2A)

**OUTER DIMENSIONS**

**Active Infrared Sensor OA-PRESENCE2**



UNIT: mm (inch)