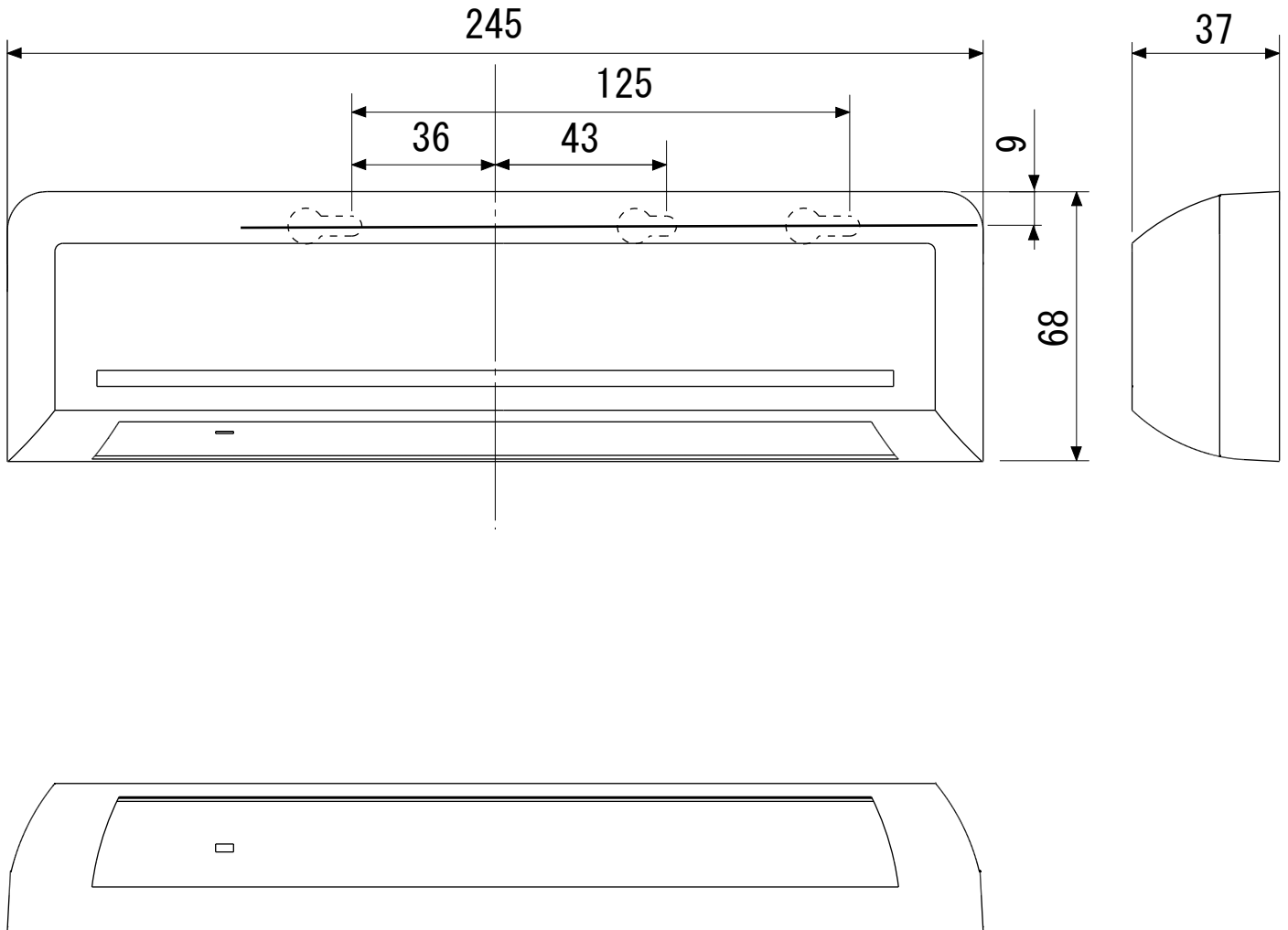

 (m
feet,inch)

A	2.00 6'6 3/4"	2.20 7'2 5/8"	2.50 8'2 7/16"	2.70 8'10 5/16"	3.00 9'10 1/8"
B	2.10 6'10 11/16"	2.30 7'6 9/16"	2.60 8'6 3/8"	2.80 9'2 1/4"	3.10 10'2 1/16"
C	0.16 6 5/16"	0.18 7 1/16"	0.20 7 7/8"	0.22 8 11/16"	0.25 9 13/16"
D	0.27 10 5/8"	0.29 11 7/16"	0.33 1'1"	0.36 1'2 3/16"	0.40 1'3 3/4"
E	1.34 4'4 3/4"	1.47 4'10 1/4"	1.68 5'6 1/8"	1.81 5'11 1/4"	2.01 6'7 1/8"

Model	: OA-205V-2
Cover Color	: Silver / Black
Mounting Height	: 2.0m(6'6") to 3.0m(9'10")
Detection Method	: Active Infrared Reflection Method
Detection Angle Adjustment	: Base Angle / 0° to 10° Adjustment Screw Angle / $\pm 4^\circ$ adjustable by 1° every one click (Deep / Shallow)
Detection Width Adjustment	: Adjustment Screw Angle / $\pm 7^\circ$ adjustable by 3.5° every one click (Right / Left)
Power Supply	: 12 to 110V AC/DC
Current Draw	: 160mA Max.(at 12V AC)
Power Consumption	: 4.0VA Max.(at 100V AC)
Operation Indicator	: Green : Stand-by Red : 1st Row Detection Active Orange : 2nd Row Detection
Output	: "Form A" relay 50V 0.1A Max. (resistance load)
Relay Hold Time	: Approx. 0.5 sec.
Response Time	: <0.3 sec.
Operating Temperature	: -20°C to +55°C (-4F° to +131F°)
Weight	: 230g(8.2oz)
Accessories	: 1 Cable 3m (9'10") 2 Mounting Screws 1 Operation Manual 1 Mounting Temperature 1 Area Adjustment Tool 1 Protection sheet



Unit:mm