

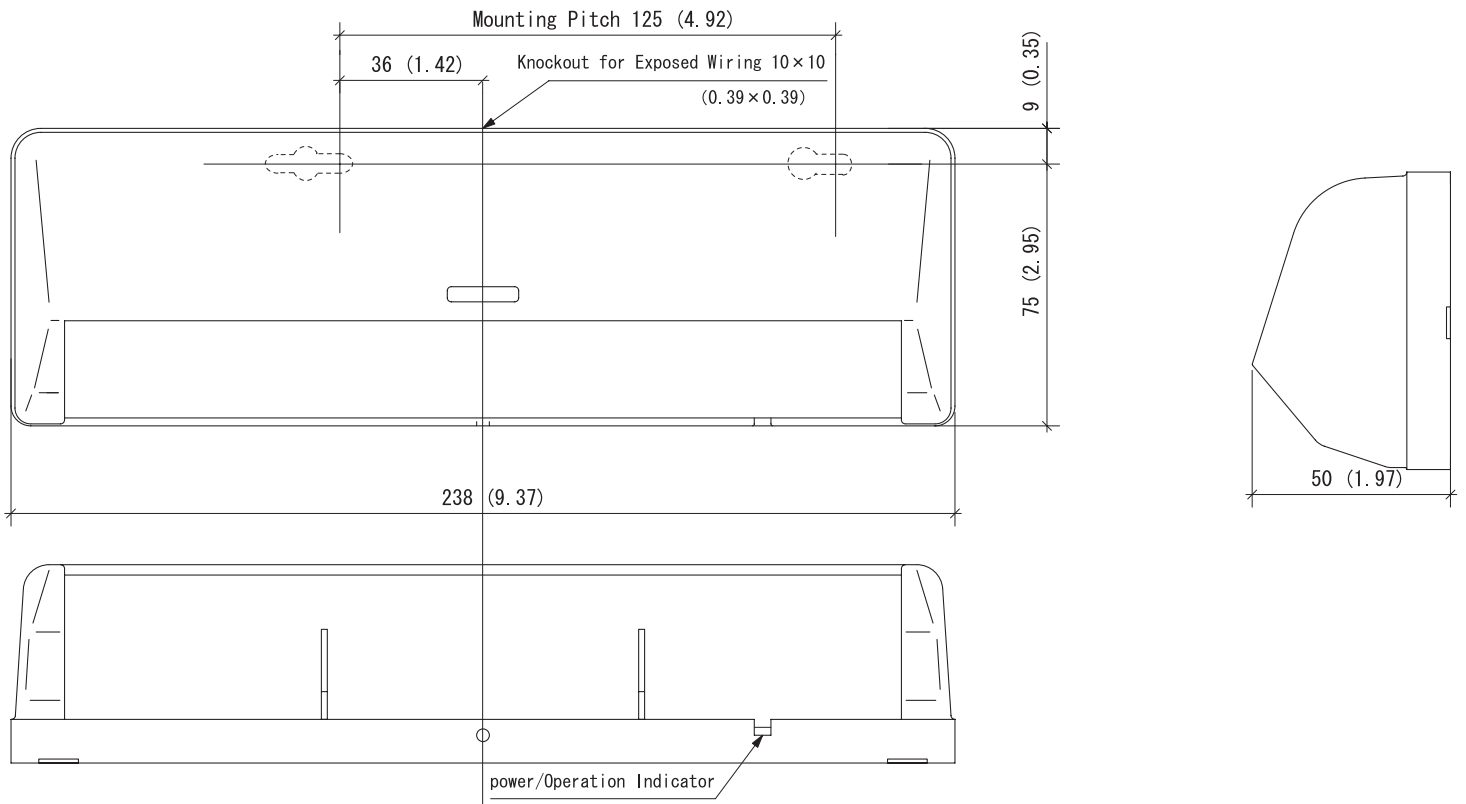
[m (ft)]

Mounting height A	2.20 (7.21)	2.50 (8.20)	2.70 (8.86)	3.00 (9.84)
Distance to mounting surface B	0.10 (0.32)	0.11 (0.36)	0.12 (0.39)	0.13 (0.42)
Area depth C	0.07 (0.22)	0.08 (0.26)	0.09 (0.29)	0.10 (0.32)
Area depth D	0.22 (0.72)	0.25 (0.82)	0.27 (0.89)	0.29 (0.95)
Area depth E	0.70 (2.29)	0.80 (2.62)	0.90 (2.95)	1.00 (3.28)
Area depth F	1.30 (4.26)	1.50 (4.92)	1.70 (5.57)	1.80 (5.90)
Area depth G	1.80 (5.90)	2.00 (6.56)	2.10 (6.88)	2.40 (7.87)
Area depth H	2.60 (8.52)	3.00 (9.84)	3.20 (10.49)	3.60 (11.80)
Area width I	2.00 (6.56)	2.30 (7.54)	2.40 (7.87)	2.70 (8.85)
Area width J	1.40 (4.59)	1.60 (5.24)	1.70 (5.57)	1.90 (6.23)
Area width K	1.70 (5.57)	2.00 (6.56)	2.10 (6.88)	2.40 (7.87)

Model	: OA-202C
Mounting Height	: Max.3.0m
Detection Area Adjustments	: Depth and width can be adjusted by masking seal Depth angle 0° to 12° (3x4 steps). Only front row
Detection Technique	: Active Infrared(Near Infrared Reflection)
Power Supply	: 12 - 24V AC/DC
Current Draw	: 150mA max.
Power/Operating Indicator	: LED ON: Standby LED OFF: Detection
Output Contact	: Form C Relay 50V, 0.3A(Resistance Load)
Relay Hold Time	: Approx. 0.5sec.
Operating Temperature	: -20°C to +55°C
Dimensions	: 238 x 75 x 50mm(w x h x d)
Weight	: 320g
Accessories	: 2m Connection Cable with Plug 2 Mounting Screws Mounting Template Area Mask Seal
Accessories	: Silver (OA-202CS) Black (OA-202CBL) and White (OA-202CW)

OUTER DIMENSIONS Active Infrared Sensor

0A-202C



UNIT : mm (inch)