

: Detection Area
  : Emitting Area
  : OA-FUSION III

unit:mm(ft,inch)

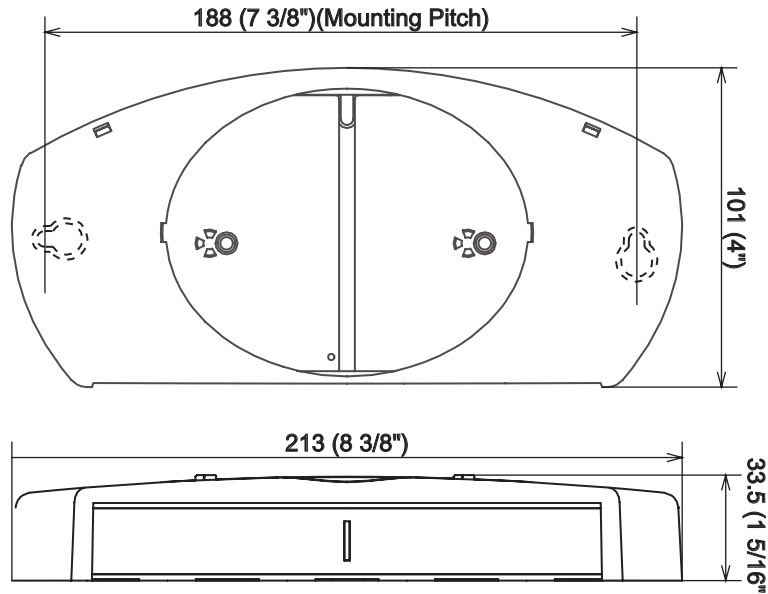
## SPECIFICATIONS

Active Infrared Sensor OA-FUSION I / II / III

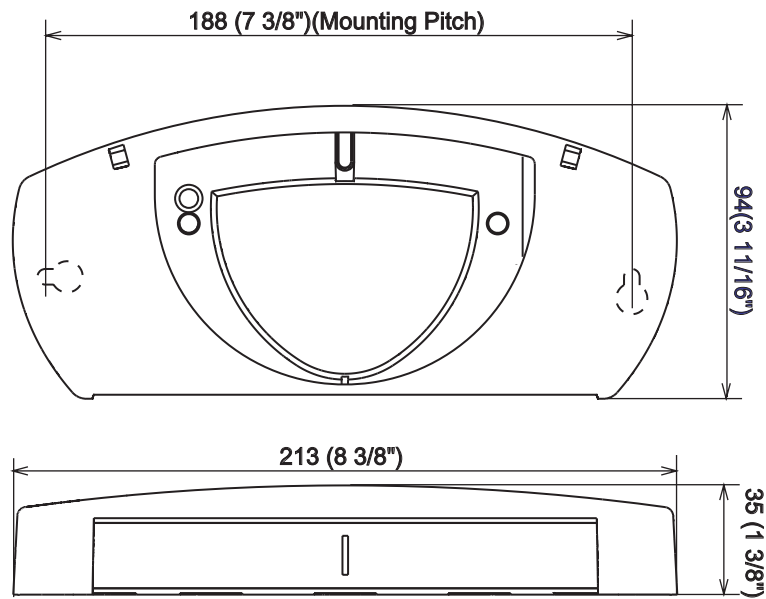
Model :	OA-FUSION I / II	OA-FUSION III
Cover color :	Black / Silver	
Mounting Height :	2.0m to 3.0m	
Detection Area :	See "Adjustment"	
Detection Method :	Active Infrared Reflection	
Detection Angle :	-5° to 5°	
Adjustments		
Power Supply :	12 to 24V AC 12 to 30V DC	
Power Consumption :	<3VA, <150mA (12V DC)	
Indicator :	Green / Stand-by Red / Detection Active	
Safety / Test Output :	Opto coupler (NPN) Active Low / Active High	
Relay Hold Time :	0.5sec	
Response Time :	<0.3sec	
Operating Temperature :	-20 to +55°C	
Operating Humidity :	<80%	
Protection Grade :	IP44	
Category :	2 (ISO13849-2)	
Weight :	240g	
Accessories :	1 Cable 3m ( 10 x 0.09mm <sup>2</sup> AWG28 ) 1 Operation Manual 2 Mounting Screws 1 Mounting Template 2 M4 Mounting Screws	1 Cable 3m (6 x 0.09m <sup>2</sup> AWG28) 1 Operation Manual 2 Mounting Screws 1 Mounting Template

# OUTER DIMENSIONS Active Infrared Sensor OA-FUSION I / II / III

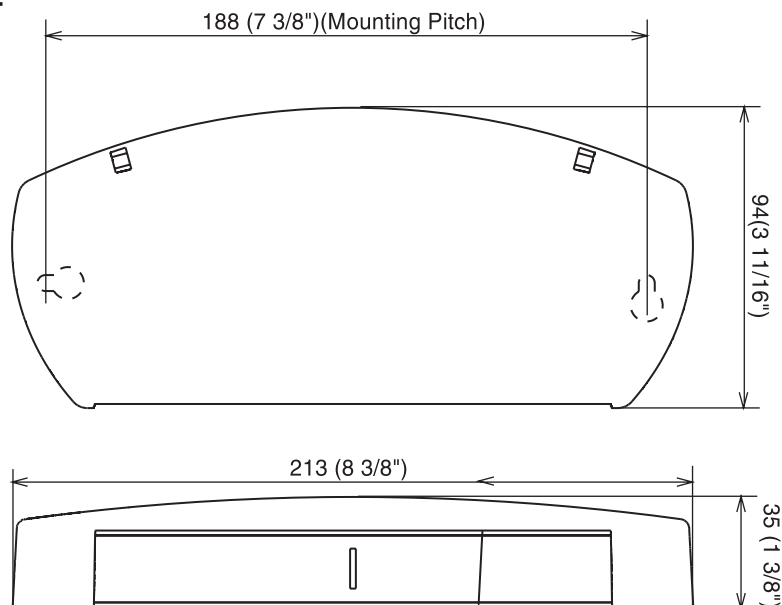
## OA-FUSION I



## OA-FUSION II



## OA-FUSION III



UNIT : mm (inch)